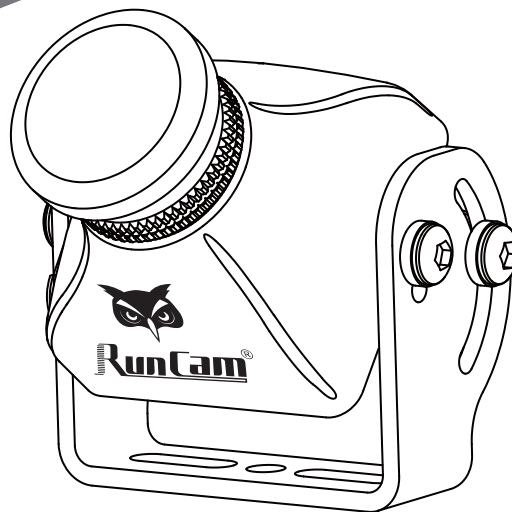


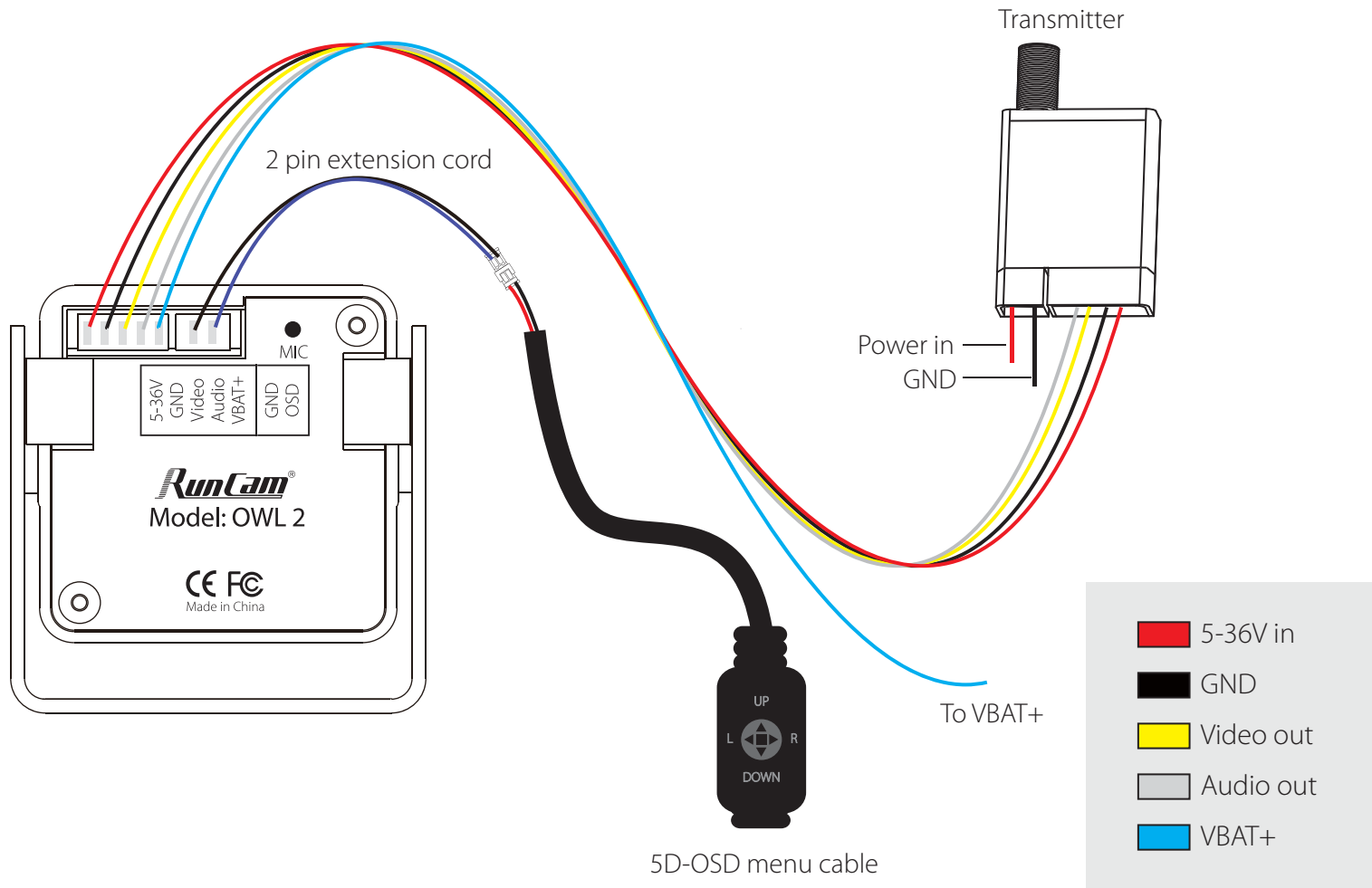


RUNCAM OWL 2 USER MANUAL

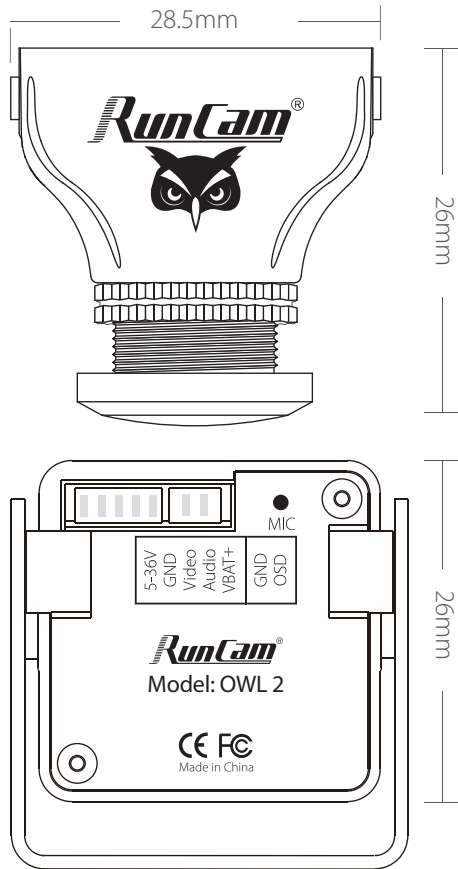


Connection

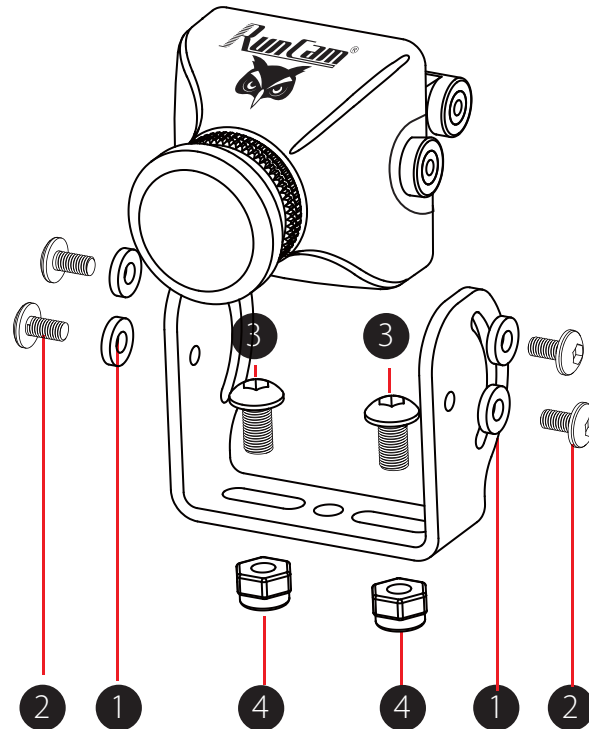
* Unplug the 5D-OSD menu cable after OSD setting.



Dimensions & Installation



- 1 Nylon Gaskets
- 2 M2 Screws
- 3 M3 Screws
- 4 M3 Non-slip Nuts



OSD Menu

OSD Setting: Press and hold the UP button for 2 seconds to enter OSD setup menu.



- PILOT: ON/OFF
- TIMER: ON/OFF
- VOLTAGE: ON/OFF
- BASELINE: OFF/1-9
- EXIT: Save the current settings and exit

Customize the PILOT name: Use the UP, DOWN, LEFT and RIGHT buttons to navigate through the letters and confirm with the CENTER button.

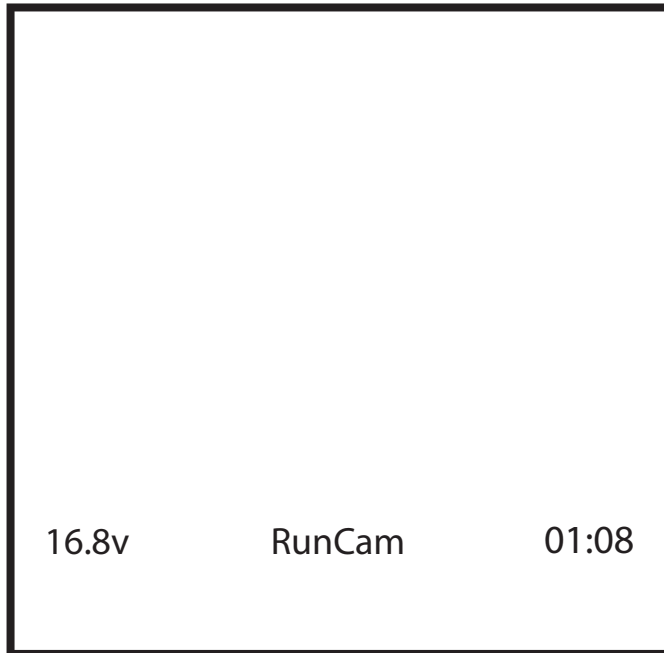
Quick settings:

Long press the LEFT/DOWN/RIGHT button for 2 seconds to activate the VOLTAGE/PILOT/TIMER, then you can use the UP, DOWN, LEFT and RIGHT buttons to move it to the appropriate location on the screen, and press the CENTER button to exit.

The OSD displays by default the input voltage of the camera. If the VBAT + cable is connected to the battery's positive side, it displays the battery voltage instead.

OSD Menu

- Voltage Calibration



- Press and hold the RIGHT button for 2 seconds to select the voltage
- Press and hold the CENTER button for 2 seconds, the voltage starts to flash, now you can adjust the voltage:
- Increase (LEFT button) or reduce (RIGHT button) 0.1V each press. Maximum adjustment range: $\pm 1v$
- After adjustment, press the CENTER button to select the voltage, then press it again to save and exit.

Camera Menu

- MAIN MENU

SETUP	
CAM TITLE	ON ↵
EXPOSURE	↵
WHITE BAL	ATW1
BACKLIGHT	BLC ↵
DAY & NIGHT	AUTO ↵
DPC	↵
IMAGE ADJ	↵
LANGUAGE	ENGLISH
RESET	↵
EXIT	

- CAM TITLE (ON/OFF)
- WHITE BAL (ATW1 / ATW2 / AWC → SET / MANUAL: MANUAL,INDOOR,OUTDOOR)
- DPC (Cover the lens then press enter key)
- LANGUAGE (English/中文)

- EXPOSURE

EXPOSURE	
SHUTTER	AUTO
BRIGHTNESS	·· ······ 060
AGC	----
DWDR	ON ↵
RETURN	RET ↵

- SHUTTER (AUTO / 250-100000 / FLK)
- BRIGHTNESS (60 / 0-255)
- DWDR (ON:16 0-63 / OFF)

Camera Menu

- BACKLIGHT (BLC / HLC / OFF)

BLC		
AREA SEL		AREA1
AREA STATE		ON
GAIN	144
HEIGHT	003
WIDTH	015
LEFT / RIGHT	000
TOP / BOTTOM	012
RETURN		

- AREA SEL (AREA1/AREA2)
- GAIN (144 / 0-255)
- HEIGHT (3 / 0-3)
- WIDTH (15 / 0-15)
- LEFT / RIGHT (0 / 0-3)
- TOP / BOTTOM (12 / 0-12)

HLC		
LEVEL	200
MODE		ALL DAY
RETURN		RET ↵

- LEVEL (200 / 0-255)
- MODE (ALL DAY / NIGHT ONLY)

Camera Menu

- DAY & NIGHT (AUTO / COLOR / B & W / EXT)

D&N AUTO			
D → N LEVEL	214	
D → N DELAYL	3	SEC	
N → D LEVEL	150	
N → D DELAY	1	SEC	
RETURN			RET ↵

- DAY → NIGHT LEVEL (214 / 214-255)
- DAY → NIGHT DELAY (3 / 1-30)
- NIGHT → DAY LEVEL (150 / 0-86)
- NIGHT → DAY DELAY (1 / 1-30)

D&N B&W	
BURST	OFF
IR SMART	ON ↵
IR LEVEL	HIGH
RETURN	RET ↵

- BURST (OFF/ON)
- IR SMART (ON/OFF)
- IR LEVEL (HIGH/LOW)

Camera Menu

- IMAGE ADJ

IMAGE ADJ		
LENS SHAD		OFF
2DNR		ON
MIRROR		OFF
FONT COLOR		←↵
CONTRAST	124
SHARPNESS	016
DISPLAY		CRT ←↵
NEG IMAGE		OFF
RETURN		RET ←↵

- LANS SHAD (OFF/ON:22 0-255)
- CONTRAST (124 / 0-255)
- SHARPNESS (16 / 0-31)
- DISPLAY (CRT/LCD/USER)

FONT COLOR		
FONT	003
ID&TITLE	003
RETURN		RET ←↵

- FONT (3 / 0-15)
- ID & TITLE (3 / 0-15)

<i>Model</i>	<i>RunCam OWL 2</i>
Image Sensor	1/2" Sensor
Horizontal Resolution	700TVL
Lens	FOV 150°
Signal System	PAL/NTSC
Integrated OSD	Yes
Integrated MIC	Yes
S/N Ratio	>60dB (AGC OFF)
Electronic Shutter Speed	PAL: 1/50~100,000; NTSC: 1/60~100,000
Auto Gain Control (AGC)	Yes
Back Light Compensation (BLC)	Yes
Min. Illumination	0.0001Lux@1.2F
WDR	D-WDR
DNR	2DNR
Day/Night	Color/Auto/B&W
Power	DC 5-36V
Net Weight	14g
Dimensions	28mm*26mm*26mm

RunCam.com