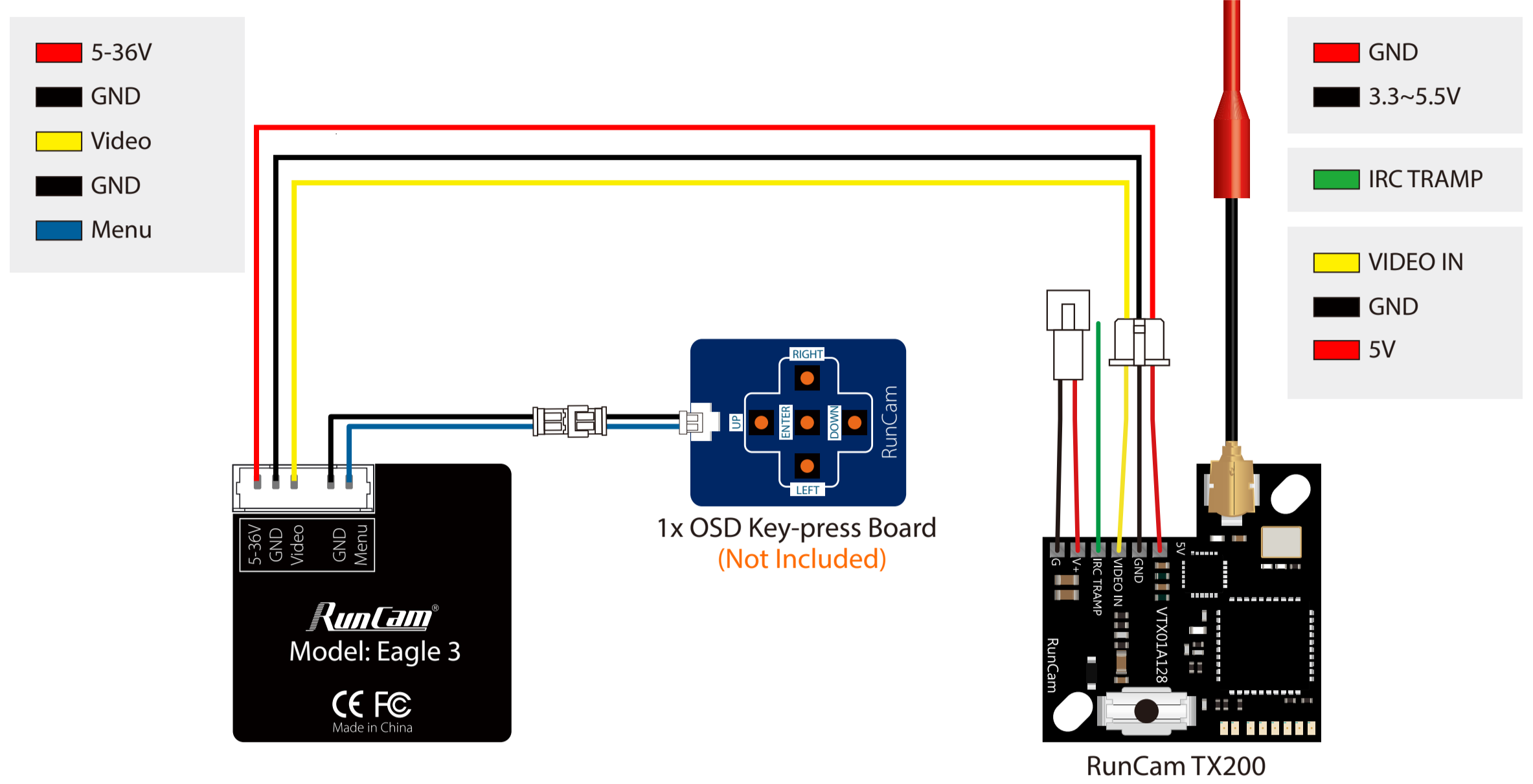


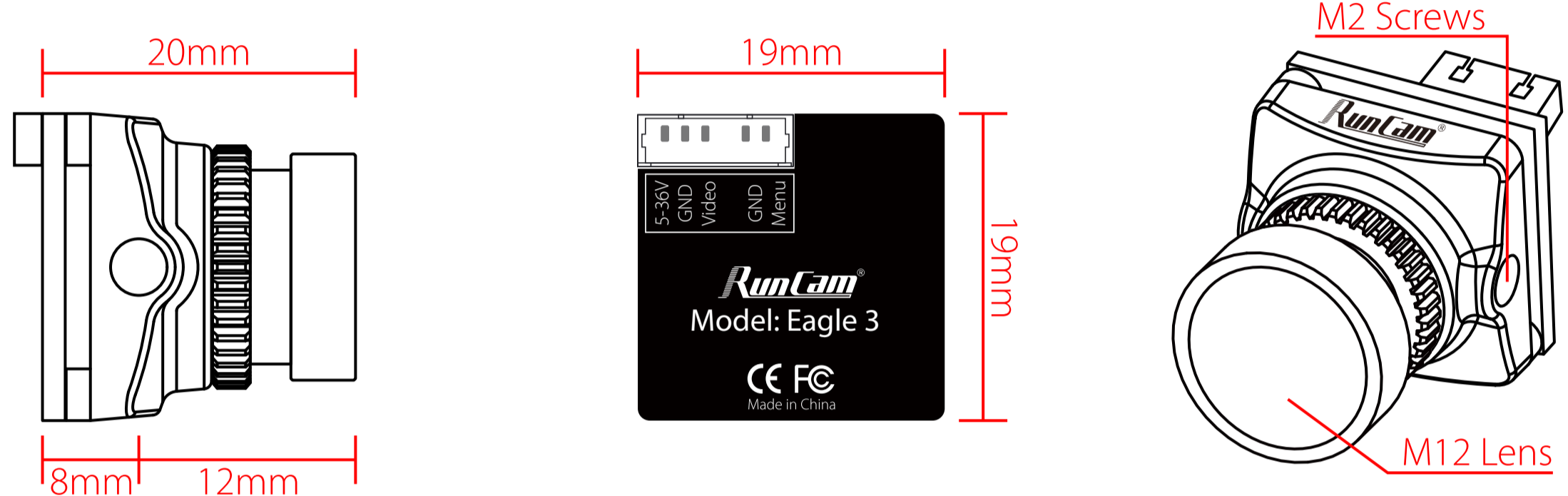
RunCam Eagle 3

USER MANUAL

Joystick Control



Dimensions & Installation



Camera Menu

MAIN MENU

- AE ◀
- WB ◀
- DAY NIGHT ◀
- IMAGE ENHANCE ◀
- VIDEO SETTING ◀
- LANGUAGE ◀ ENGLISH ▶
- RESET
- SAVE XEIT
- EXIT

EXPOSURE

- BRIGHTNESS ◀ 10 ▶
- EXPOSURE MODE ◀ GLOBE ▶
- RETURN

• EXPOSURE MODE (GLOBE/BLC)

WB

- MODE ◀ ATW ▶
- RETURN

• MODE (ATW/MWB)

DAY NIGHT

- MODE ◀ COLOR ▶
- RETURN

• MODE (COLOR / BW / EXT / AUTO)

VIDEO SETTING

- IMAGE RATIO ◀ 4:3 ▶
- HORIZONTAL INVERTED ◀ OPEN ▶
- VERTICAL INVERTED ◀ OPEN ▶
- RETURN

• IMAGE RATIO (4:3 / 16:9)

IMAGE ENHANCE

- CONTRAST ◀ AUTO ▶
- SHARPNESS ◀ AUTO ▶
- COLOR GAIN ◀ AUTO ▶
- 3DNR ◀ AUTO ▶
- RETURN

• CONTRAST (AUTO/MANUAL)
• SHARPNESS (AUTO/MANUAL)
• COLOR GAIN (AUTO/MANUAL)

Parameters

Model	RunCam Eagle 3	
Image Sensor	1/2.8" Starlight CMOS Sensor	
Horizontal Resolution	1000TVL	
Lens	2.1mm (M12) FOV155° (4:3)	
Screen Format	4:3 / 16:9 switchable	
Mirror/Flip	Available	
Signal System	NTSC / PAL Switchable	
S/N Ratio	>50dB (AGC OFF)	
Electronic Shutter Speed	Auto	
Auto Gain Control (AGC)	Auto	
Min. Illumination	0.001Lux@1.2F	
WDR	Global WDR	
Day/Night	Color/BW	
Menu Control	Cable Control	
Power	DC 5-36V	
Current	220mA@5V	120mA@12V
Housing Material	ABS	
Net Weight	9g	
Dimensions	19mm*19mm*20mm	