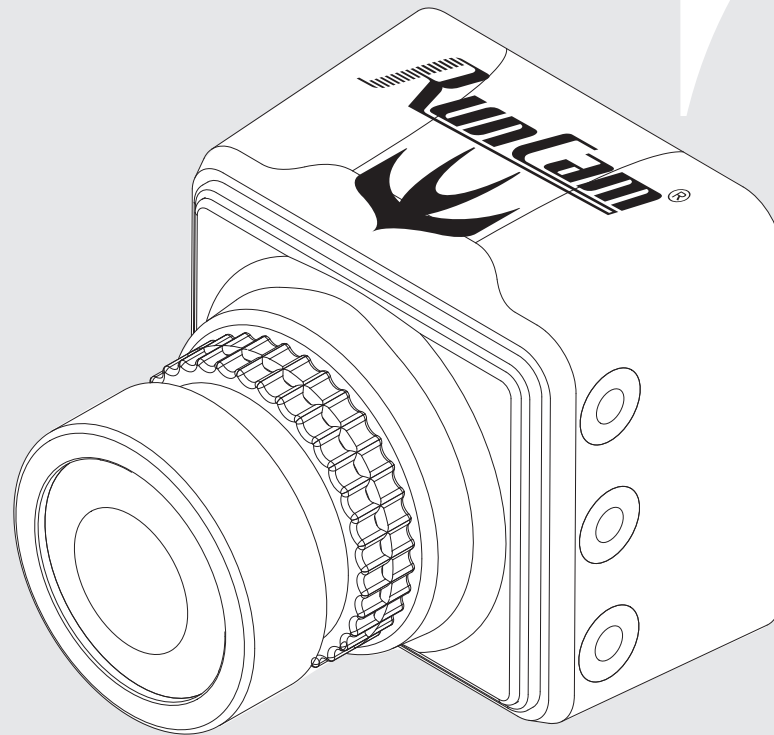


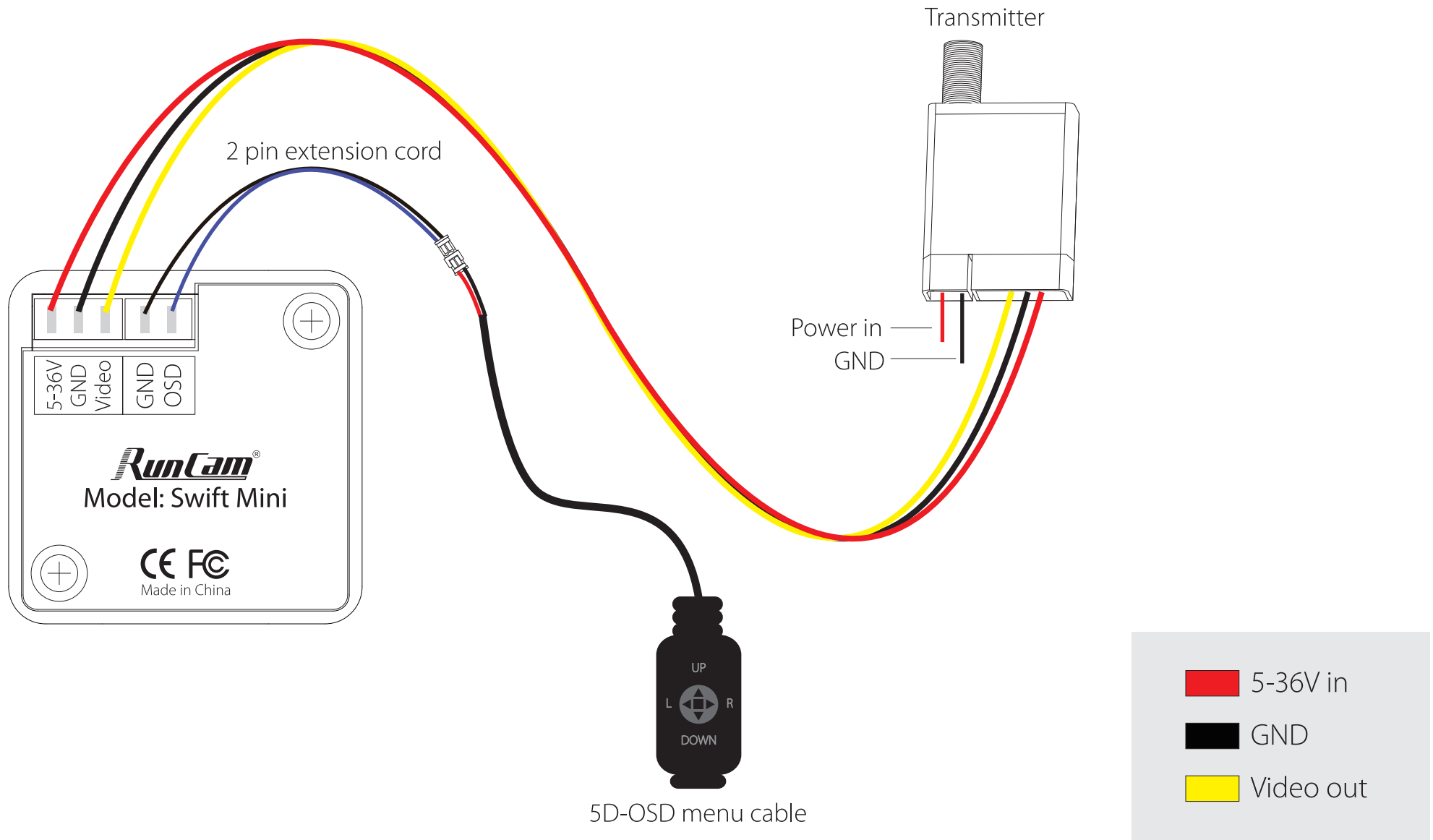
# RunCam Swift Mini

USER MANUAL

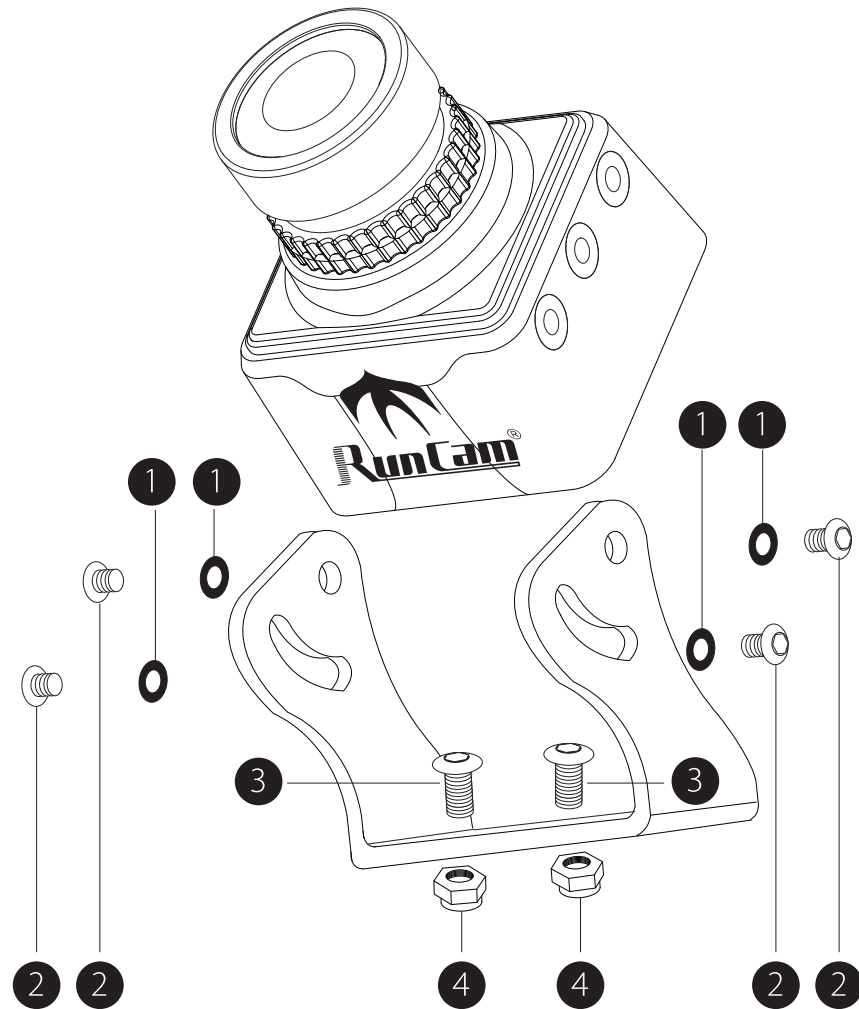
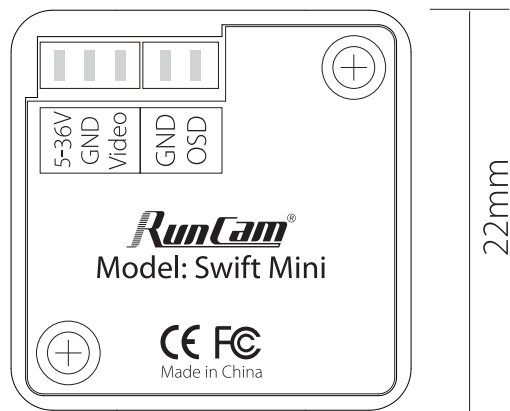
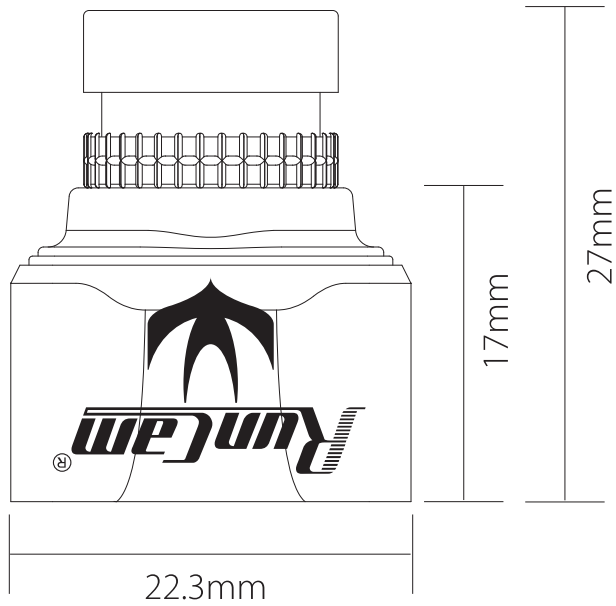


# Connection

\* Unplug the 5D-OSD menu cable after OSD setting.



# Dimensions & Installation



# Camera Menu

---

- MAIN MENU

<b>SETUP</b>	
CAM TITLE	OFF ←↵
EXPOSURE	←↵
BACKLIGHT	←↵
WHITE BAL	ATW1
DAY & NIGHT	COLOR ←↵
IMAGE ADJ	←↵
DPC	←↵
LANGUAGE	ENGLISH
RESET	←↵
EXIT	

- CAM TITLE (ON/OFF)
- LANGUAGE (English/中文)
- WHITE BAL (ATW1 / ATW2 / AWC→ SET / MANUAL: MANUAL, INDOOR, OUTDOOR)
- DPC (Cover the lens then press enter key)

- EXPOSURE

<b>EXPOSURE</b>	
SHUTTER	AUTO
BRIGHTNESS	..... 050
AGC	HIGH
DWDR	ON ←↵
RETURN	RET ←↵

- SHUTTER (AUTO / 50-100000 / FLK)
- BRIGHTNESS (50 / 0-255)
- AGC (OFF / LOW / MIDDLE / HIGH)
- DWDR (ON: 63 0-63 / OFF)

# Camera Menu

---

- IMAGE ADJ

IMAGE ADJ		
LENS SHAD		OFF
2DNR		OFF
MIRROR		OFF
FONT COLOR		←┘
CONTRAST	..... .....	110
SHARPNESS	..... .....	026
DISPLAY		USER ←┘
NEG IMAGE		OFF
RETURN		

USER ADJ.		
GAMMA		0.50
PED LEVEL	... .....	028
COLOR GAIN	..... ...	176
RETURN		RET ←┘

- LENS SHAD (OFF/ ON:22 0-255)
- CONTRAST (110 / 0-255)
- SHARPNESS (26 / 0-31)
- DISPLAY (CRT/LCD/USER)

- GAMMA (0.5 / 0.05-1.0)
- PED LEVEL (28/ 0-63)
- COLOR GAIN (176 / 0-255)

# Camera Menu

---

- BACKLIGHT (BLC / HLC / OFF)

<b>BLC</b>		
AREA SEL		AREA1
AREA STATE		ON
GAIN	..... .....	168
HEIGHT	... .....	005
WIDTH	... .....	005
LEFT/RIGHT	... .....	004
TOP/BOTTOM	... .....	004
RETURN		RET ←↵

- AREA SEL (AREA1/AREA2)
- GAIN (168 / 0-255 )
- HEIGHT (5 / 0-10)
- WIDTH (5 / 0-9)
- LEFT/RIGHT (4 / 0-6)
- TOP/BOTTOM (4 / 0-10)

<b>HLC</b>		
LEVEL	..... .....	200
MODE		ALL DAY
RETURN		RET ←↵

- LEVEL (200 / 0-255)
- MODE (ALL DAY / NIGHT ONLY)

# Camera Menu

---

- DAY & NIGHT (AUTO / COLOR / B&W / EXT)

## D & N AUTO

D → N LEVEL	..... .....	144
D → N DELAY	3	SEC
N → D LEVEL	..... .....	112
N → D DELAY	1	SEC
RETURN		RET ↩

## D & N B & W

BURST	OFF
IR SMART	OFF
IR LEVEL	HIGH
RETURN	RET ↩

- DAY → NIGHT LEVEL (114 / 0-176)
- DAY → NIGHT DELAY (3 / 1-30)
- NIGHT → DAY LEVEL (112 / 0-255)
- NIGHT → DAY DELAY (1 / 1-30)

- BURST (OFF/ON)
- IR SMART (OFF/ON)
- IR LEVEL (HIGH/LOW)

<b>Model</b>	<b>RunCam Swift Mini</b>
Image Sensor	1/3" SONY SUPER HAD II CCD
Horizontal Resolution	600TVL
Lens	2.5mm / 2.3mm / 2.1mm
Signal System	PAL/NTSC
S/N Ratio	>60dB (AGC OFF)
Electronic Shutter Speed	PAL: 1/50~100,000; NTSC: 1/60~100,000
Auto Gain Control (AGC)	Yes
Back Light Compensation (BLC)	Yes
Min. Illumination	0.01Lux@1.2F
WDR	D-WDR
DNR	2DNR
Day/Night	Color/Auto/B&W
Power	DC 4-36V
Net Weight	12g
Dimensions	22.3mm*22mm*27mm