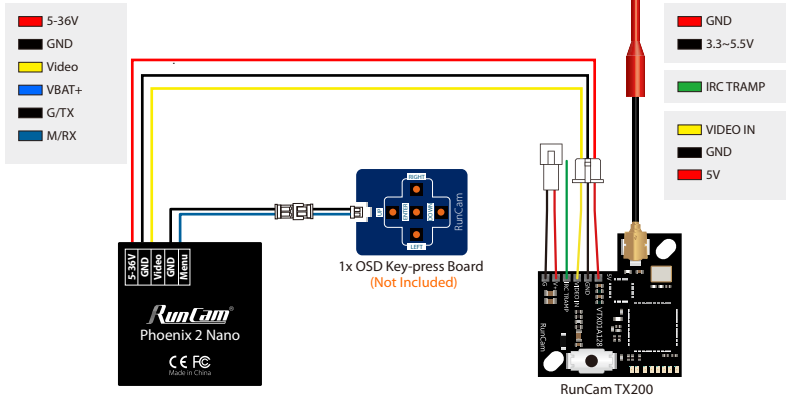


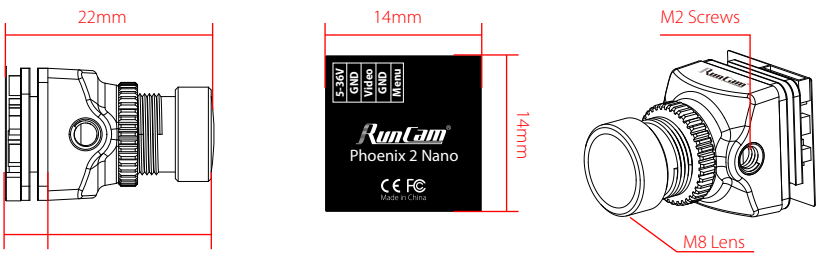
RunCam Phoenix 2 Nano

USER MANUAL

Joystick Control



Dimensions & Installation



Camera Menu

MAIN MENU

- AE ↵
- WB ↵
- DAY NIGHT ↵
- IMAGE ENHANCE ↵
- VIDEO SETTING ↵
- LANGUAGE ◀ ENGLISH ▶
- RESET
- SAVE XEIT
- EXIT

EXPOSURE

- BRIGHTNESS ◀ 12 ▶
- EXPOSURE MODE ◀ GLOBE ▶
- ADVANCED ↵
- RETURN

• EXPOSURE MODE (GLOBE/BLC)

WB

- MODE ◀ ATW ▶
- RETURN

• MODE (ATW/MWB)

DAY NIGHT

- MODE ◀ COLOR ▶
- RETURN

• MODE (COLOR / BW / EXT / AUTO)

VIDEO SETTING

- VIDEO STANDARD ◀ NTSC ▶
- HD FORMAT CVBS
- IMAGE RATIO ◀ 4:3 ▶
- HORIZONTAL INVERTED ◀ CLOSE ▶
- VERTICAL INVERTED ◀ CLOSE ▶
- WDR ◀ OPEN ▶
- RETURN

• VIDEO STANDARD (NTSC/PAL)
• IMAGE RATIO (4:3 / 16:9)

IMAGE ENHANCE

- CONTRAST ◀ AUTO ▶
- SHARPNESS ◀ AUTO ▶
- COLOR GAIN ◀ AUTO ▶
- 3DNR ◀ AUTO ▶
- RETURN

• CONTRAST (AUTO/MANUAL)
• SHARPNESS (AUTO/MANUAL)
• COLOR GAIN (AUTO/MANUAL)

Parameters

Model	RunCam Phoenix 2 Nano
Image Sensor	1/2" COMS Sensor
Horizontal Resolution	1000TVL
Lens	2.1mm (M8) FOV155° (4:3)
Screen Format	4:3 / 16:9 switchable
Mirror/Flip	Available
Signal System	PAL / NTSC Switchable
S/N Ratio	>50dB (AGC OFF)
Electronic Shutter Speed	Auto
Auto Gain Control (AGC)	Auto
Min. Illumination	0.001Lux@1.2F
WDR	Global WDR
Day/Night	Color/BW/EXT/Auto
Menu Control	Cable Control
Power	DC 5-36V
Current	190mA@5V/80mA@12V
Housing Material	ABS
Net Weight	5g
Dimensions	14mm*14mm*22mm